



AG(AGM and Gel) range uses the advanced GEL design, which combines the best features of both AGM and GEL construction into one battery line, and the purity fumed silica to form sulfuric acid thixotropic Gel, and fills the batteries with vacuum to ensure complete penetration of electrolyte through separators and plates pastes.

This range battery is designed to meet the requirement of frequent cyclic and high temperature application such as boardband, PVs etc.

Applications

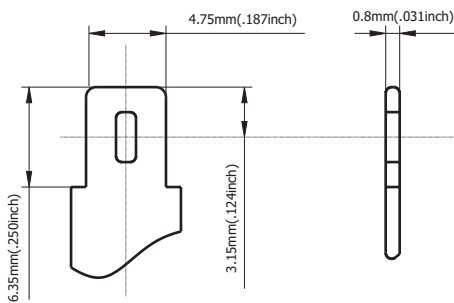
- Broadband
- Electric Powered Vehicle
- UPS
- Photovoltaic & Solar System
- Electric Powered Toy
- Control System
- Vacuum Cleaner
- Medical Equipment
- Golf Cars and Buggies
- Wheel Chairs

General Features

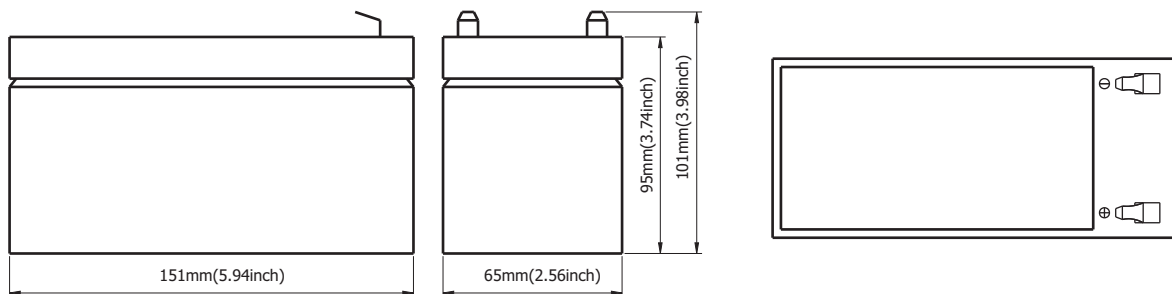
- Ideal for cyclic uses
- Good tolerance to higher temperature applications.
- ABS containers and covers(UL94HB, UL94V-0) optional.
- Safety valve installation for explosion proof.
- Higher safety & reliable construction.
- Extra durability and deep cycle ability for heavy demand applications.
- Low self discharge characteristic.
- Good tolerance to higher temperature applications.

Construction

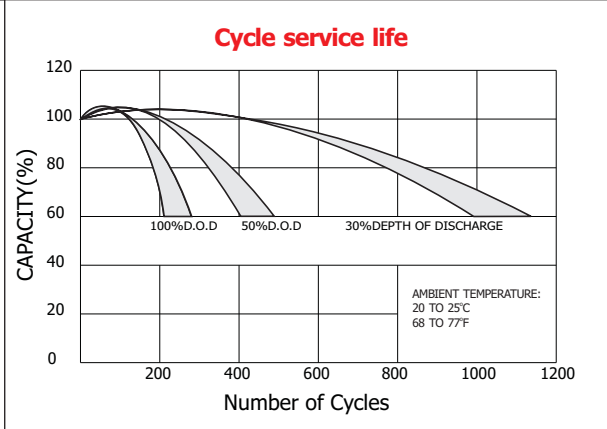
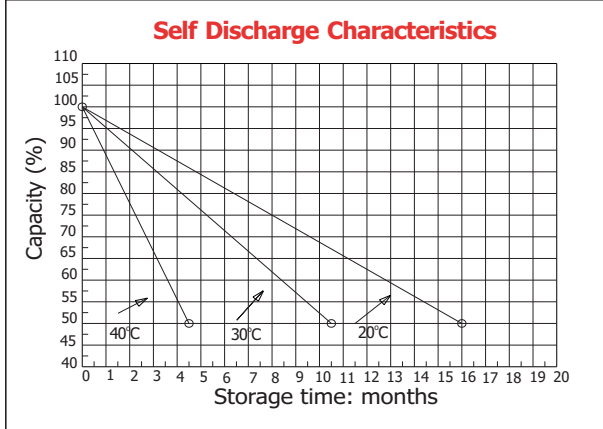
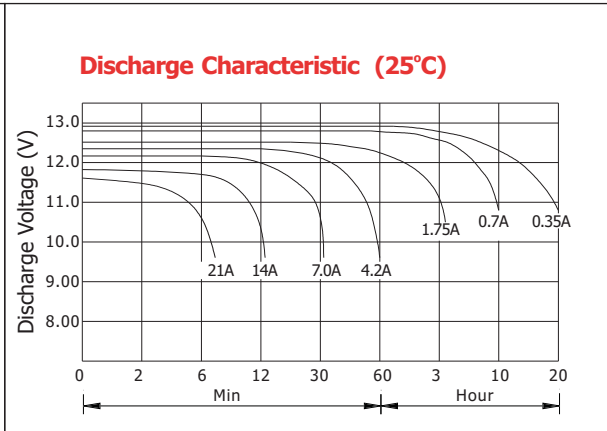
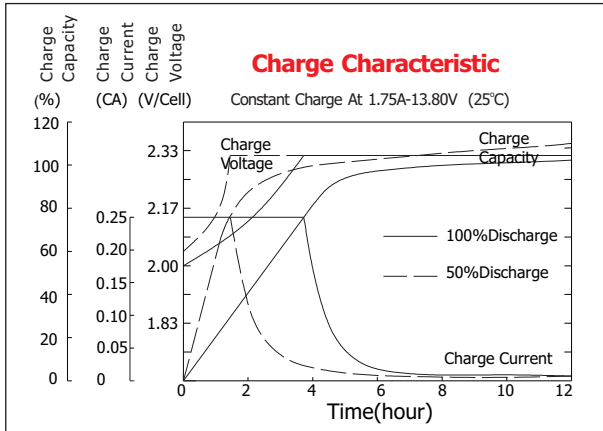
- ComponentRaw material
- PositiveLead dioxide
- NegativeLead
- ContainerABS
- CoverABS
- SealantEpoxy Resin
- Safety valveEPDR
- TerminalCopper
- SeparatorAGM
- Electrolytesulfuric acid thixotropic Gel



Standard Terminal Dimensions
(Optional terminal please check terminal information page)



Battery Model	GT12-7.2AG			
Designed Floating Life	5 Years			
Capacity(25°C)	20HR(0.35A,1.75V)	10HR(0.665A,1.75V)	5HR(1.10A,1.75V)	1HR(4.1A,1.75V)
	7Ah	6.65Ah	5.50Ah	4.1Ah
Dimensions	Length	Width	Height	Total Height
	151mm(5.94inch)	65mm(2.56inch)	95mm(3.74inch)	101mm(3.98inch)
Approx. Weight	2.10Kg (4.62 lbs)			
Internal Resistance	Full charged at 25°C: 0.02 Ohm			
Self Discharge	3% of capacity declined per month at (25°C)			
Capacity Affected by Temp.(20HR)	40°C	25°C	0°C	-15°C
	102%	100%	85%	65%
Charge Voltage(25°C)	Cycle use		Float use	
	14.4-15V(-30mV/ °C), max. Current: 2.1A		13.6-13.8V(-20mV/ °C)	



Constant current discharge ratings-amperes at 25°C

1.60V	27.3	17.0	12.8	7.83	4.97	2.18	1.33	0.72	0.39
1.67V	25.7	16.1	12.3	7.49	4.91	2.10	1.31	0.72	0.38
1.70V	23.5	15.6	12.1	6.81	4.76	1.96	1.28	0.72	0.37
1.75V	23.1	15.1	11.7	6.47	4.54	1.89	1.25	0.71	0.36
1.80V	20.6	14.4	10.6	5.99	4.25	1.82	1.18	0.70	0.35
1.85V	18.2	13.7	9.53	5.51	3.96	1.75	1.10	0.68	0.34

Constant power discharge ratings-watts at 25°C

1.60V	48.0	30.7	23.4	14.1	8.98	3.87	2.26	1.45	0.78
1.67V	46.3	29.9	23.1	13.8	8.92	3.75	2.25	1.44	0.76
1.70V	43.6	29.7	22.9	12.9	8.75	3.58	2.22	1.43	0.75
1.75V	43.9	29.6	22.8	12.5	8.61	3.50	2.20	1.41	0.73
1.80V	40.1	29.1	21.1	12.0	8.11	3.40	2.13	1.40	0.71
1.85V	36.4	27.6	19.1	11.2	7.63	3.29	2.06	1.36	0.68