

## GT12-150ICS (12V150Ah)

## ICS series Intensive Cycle Service

GASTON's ICS series battery designed to provide high cycling and fast charge performance, idea for telecom service where power supply is unstable. With innovative structure design, high quality manufacturing and high quality material, ICS batteries are also capable of PSoC, hybrid, renewable energy storage application and other cycling/standby applications.

ICS series also have true front access terminal and front-access gas collection tubing for fast installation and facilitates maintenance.

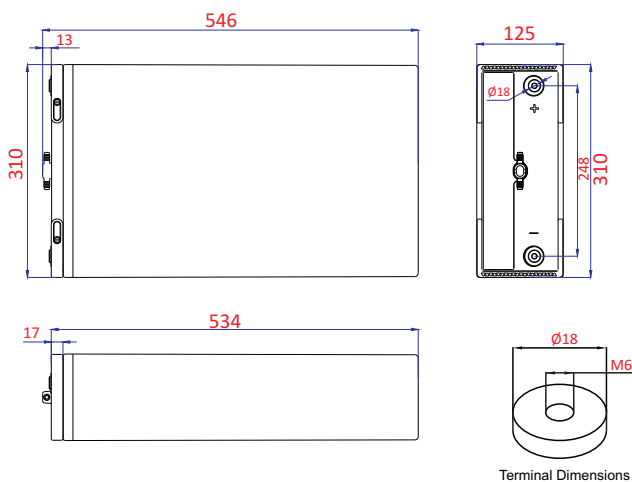


### Features & Benefits

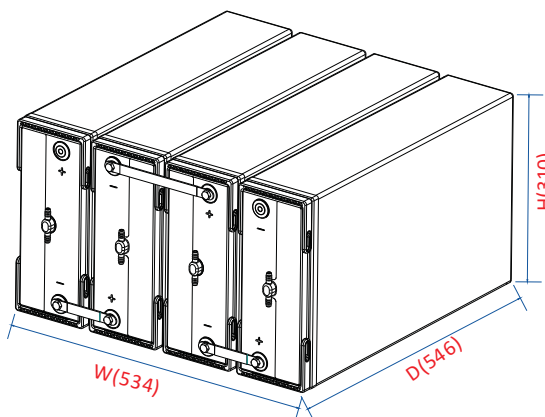
- Extra high cycling and fast charge performance
- Designed for intensive cycle service where unstable grid power supply or no-grid, such as Telecom BTS, hybrid genset, renewable energy storage application
- Suit for 19" or 23" and ETSI power racks/cabinets with front terminal
- Superb security and reliability, more cost effective than nearest equivalent
- 12 year design float life at 25°C
- Wide operating temperature range -40 °C to +50 °C
- True front-terminal design
  - Not requiring any additional space between the top of the battery and the next shelf
  - Easy paralleling of 48V strings (on 2 or more shelves) or 2x24V strings on one shelf via cost-effective flexible cables running along front surface
  - With rotational symmetry not requiring expensive and long cables when long strings are assembled on multiple
- Easy installation and verification of gas collection tubing via twin front-access gas nipples also with easy connection over several shelves
- Fold-away handles for easy installation and removal from shelves

### Drawings

#### 12V monobloc dimensions (in mm)



**48V system:** Total installation depth 546mm, including connector, bolt, insulation protective cover.



# GT12-150ICS (12V150Ah)

**ICS series**  
Intensive Cycle Service

## Technical specifications

### Electrical data

Nominal voltage	12 V
Number of cells	6
Rated capacity(25°C)	150 Ah - 15A for 10h to 1.80V/cell
Float voltage	2.25Vpc at 25°C
Cycle and equalize charge voltage	2.35Vpc at 25°C
Internal resistance	4.80 mΩ ( acc. to IEC 60896-21)
Short circuit current	2560A (acc. to IEC60896-21 )
Max. charge current	unlimited, otherwise 37.5A max. if T>25°C
Self discharge	less than 3% per month at 25°C

### Mechanical data

Weight ready for use	56.0 kg (123.5 lbs)
Length	546 mm (21.5 in)
Width	125 mm (4.92 in)
Height of monobloc	310 mm (12.2 in)
Total height	310 mm (12.2 in)
Terminal	M6 female
Terminal hardware torque	8±1.0 Nm

## Constant Current Discharge Characteristics Units: Amperes (25°C, 77°F)

End Voltage	Time (minutes)				Time (hours)											
	5	15	30	45	1	2	3	4	5	6	8	10	12	20	24	
1.60V	468	262	159	115	93.0	53.4	41.8	32.1	28.8	24.2	18.8	15.6	13.1	8.16	6.80	
1.67V	458	253	156	114	92.5	53.1	41.0	31.9	28.5	24.1	18.6	15.5	13.0	8.09	6.77	
1.70V	444	248	154	112	91.8	52.7	40.8	31.7	28.2	24.0	18.4	15.3	12.9	8.07	6.75	
1.75V	417	241	150	110	90.5	51.3	40.3	31.4	27.9	23.9	18.2	15.1	12.7	8.05	6.72	
1.80V	374	224	146	108	88.1	50.9	40.1	31.3	27.2	23.4	18.0	15.0	12.6	7.97	6.68	
1.83V	356	206	143	104	84.3	50.2	38.8	29.8	26.3	22.6	17.8	14.4	12.3	7.95	6.63	
1.85V	334	199	133	100	81.7	48.4	37.7	29.4	25.6	22.1	17.3	14.3	12.2	7.80	6.57	

## Constant Power Discharge Data Units: Watts per cell (25°C,77°F)

End Voltage	Time (minutes)				Time (hours)											
	5	15	30	45	1	2	3	4	5	6	8	10	12	20	24	
1.60V	815	460	287	216	175	101	79.5	61.5	55.2	46.7	36.5	30.2	25.4	16.2	13.6	
1.67V	785	452	285	215	174	100	78.4	61.4	54.9	46.6	36.1	30.1	25.2	16.1	13.5	
1.70V	780	447	283	212	172	99.8	78.0	61.2	54.4	46.5	36.0	29.6	25.1	16.1	13.5	
1.75V	728	440	280	210	171	99.5	77.6	61.1	54.1	46.3	35.3	29.5	25.0	16.0	13.5	
1.80V	680	419	277	209	168	99.2	77.4	61.0	52.9	45.9	35.1	29.3	24.9	16.0	13.4	
1.83V	656	384	274	203	163	98.0	75.6	58.7	51.8	44.5	35.3	28.6	24.4	15.9	13.4	
1.85V	621	375	254	194	158	94.8	73.5	58.0	50.5	43.6	34.2	28.4	24.2	15.7	13.3	



Pb